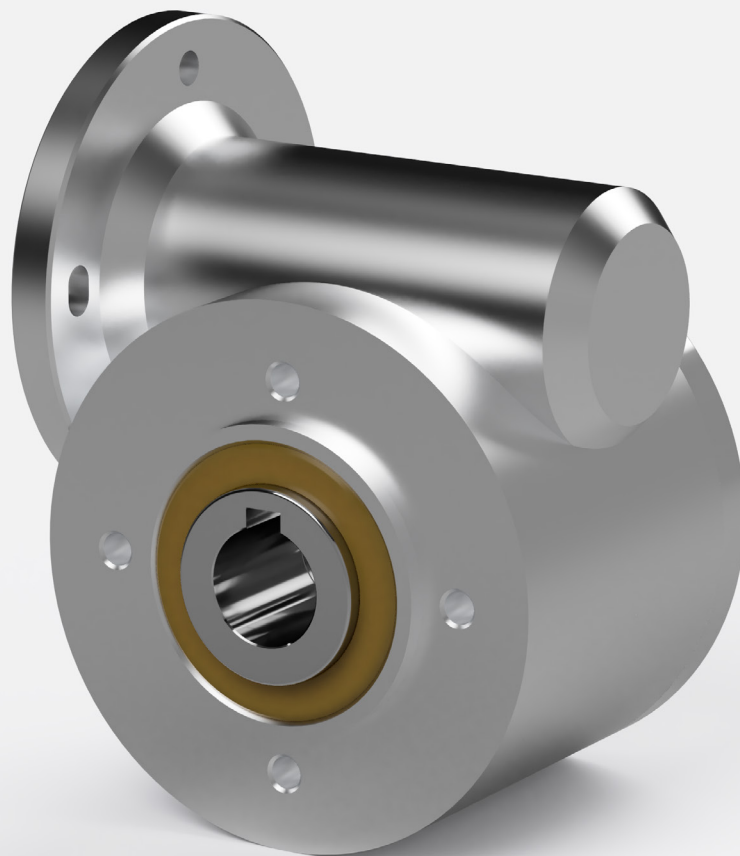


# WORM GEARS / WORM GEARED MOTORS

PRODUCT BROCHURE



## SN5 BH

MODULAR SYSTEM  
// Preconfigured drive solutions

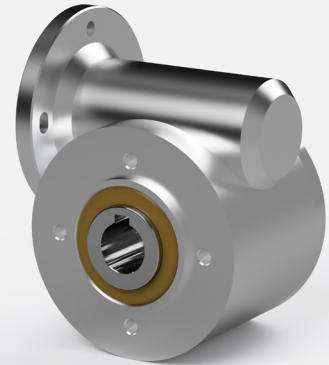
08.2020



RUHRGETRIEBE

## GENERAL INFORMATION

Housing material	Cast aluminium housing
Output flange	Bolt circle - Ø50 mm - 4x M5 Centering - Ø40 mm
Output shaft	Hollow shaft - Ø 15 mm
Soild output shaft	left, right or pluggable double-sided
Mounting position	Various mounting positions
Dimensions	82x70x54 mm
Weight	753 g
Lubricant	Oil lubrication for lifetime; NSF-H1 „food lubrication“



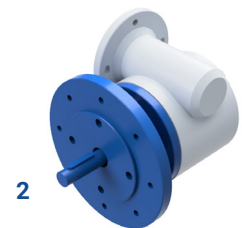
## PERFORMANCE DATA

Motor power range	W	45 - 120
Gear ratios	i	7 - 55:1
Number of stages		1
output speed	rpm	28 - 400
Max. permissible output torque	Nm	11 - 12

## OPTIONS

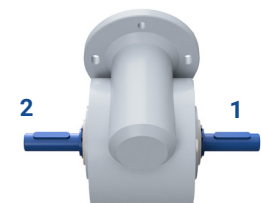
### Output flange

Dimensions	mm	Ø100x80x60
Mounting option	[-]	left or right
Groove	mm	4
Flange drilling	mm	M5 / M6
Position		1 - right 2 - left (as figure)



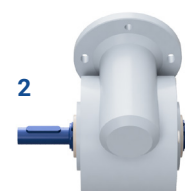
### Double-sided output shaft

Diameter	mm	Ø10x30
Groove	mm	4
Position		double-sided (1+2)



### One-sided output shaft

Dimensions	mm	Ø10x30
Mounting option	mm	left or right
Groove	mm	4
Position		1 - right 2 - left (as figure)



# TECHNICAL DATA

# SN5 BH

## GEARBOX DATA

Gear reduction	i	7	10	20	24	30	50	55
Max. permissible torque	Nm	12	11	12	11	12	11	13

Other gear reductions on request

## MOTOR DATA

### AC-THREE-PHASE

// 230 / 400V

Gear reduction	i	7	10	20	24	30	50	55	
Gear rotation speed	rpm	200	140	70	58	47	28	25	<b>45 Watt</b> // 1400 rpm
Effective torque	Nm	1,7	2,1	3,7	3,6	4,5	5,7	7,3	
Gear rotation speed	rpm	200	140	70	58	47	28	25	<b>90 Watt</b> // 1400 rpm
Effective torque	Nm	3,3	4,3	7,5	7,2	9,0	11	15	
Gear rotation speed	rpm	400	280	140	117	93	56	51	<b>120 Watt</b> // 2800 rpm
Effective torque	Nm	2,3	3,0	5,2	5,3	6,5	8,2	10	

Don not load above the max. permissible torque!

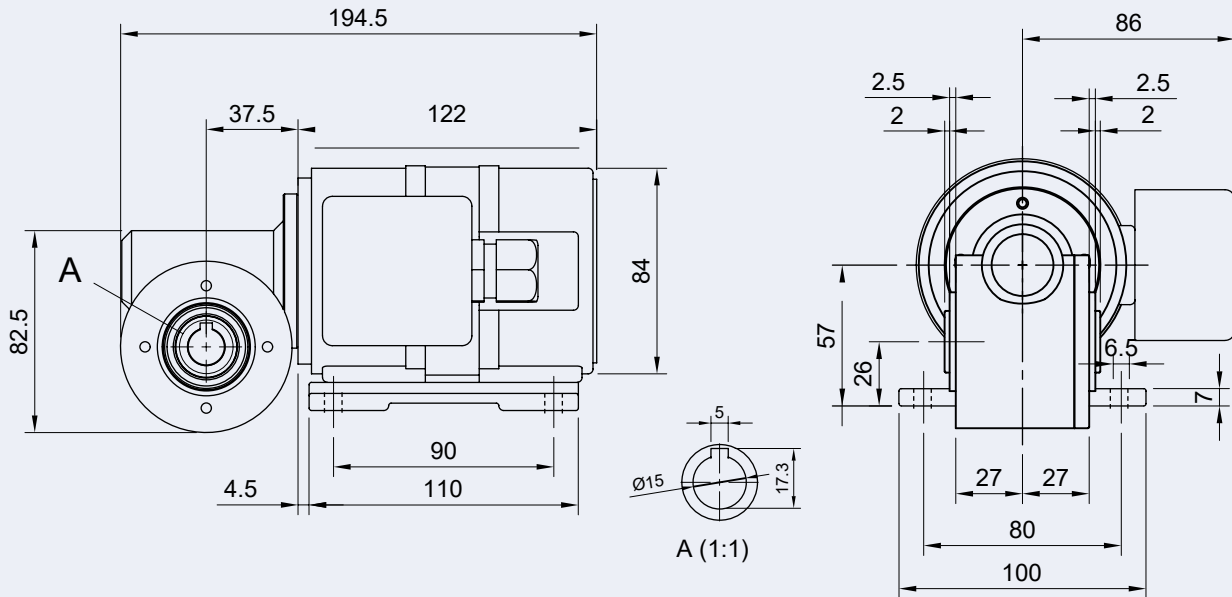
### DIRECT CURRENT

// 180 / 200V

Gear reduction	i	7	10	20	24	30	50	55	
Gear rotation speed	rpm	429	300	150	125	100	60	55	<b>120 Watt</b> // 3000 rpm
Effective torque	Nm	2,1	2,8	4,9	5,0	6,1	7,6	9,7	

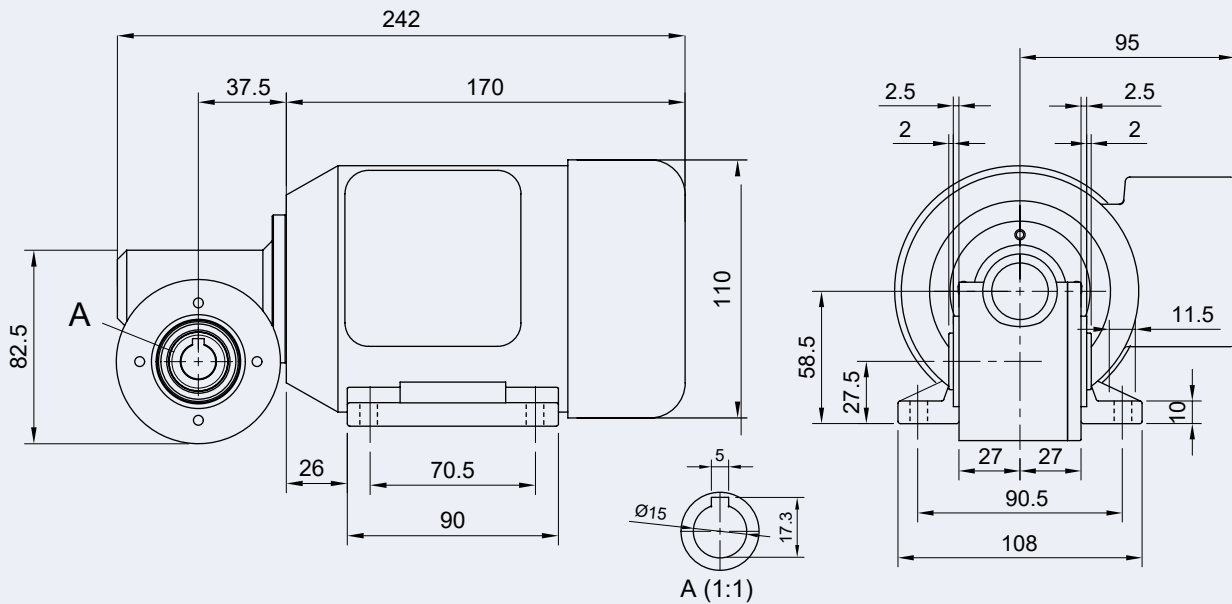
## 45 Watt

// 1400 rpm

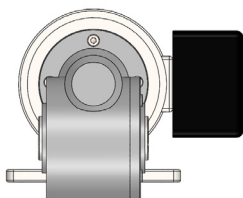


## 90 Watt

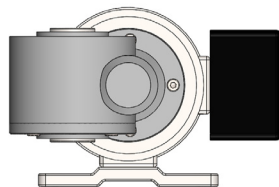
// 1400 rpm



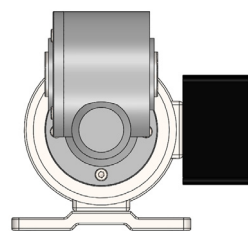
## Terminal box positions



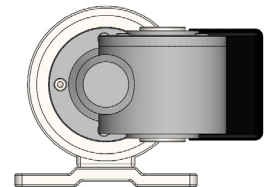
**A**



**B**



**C**

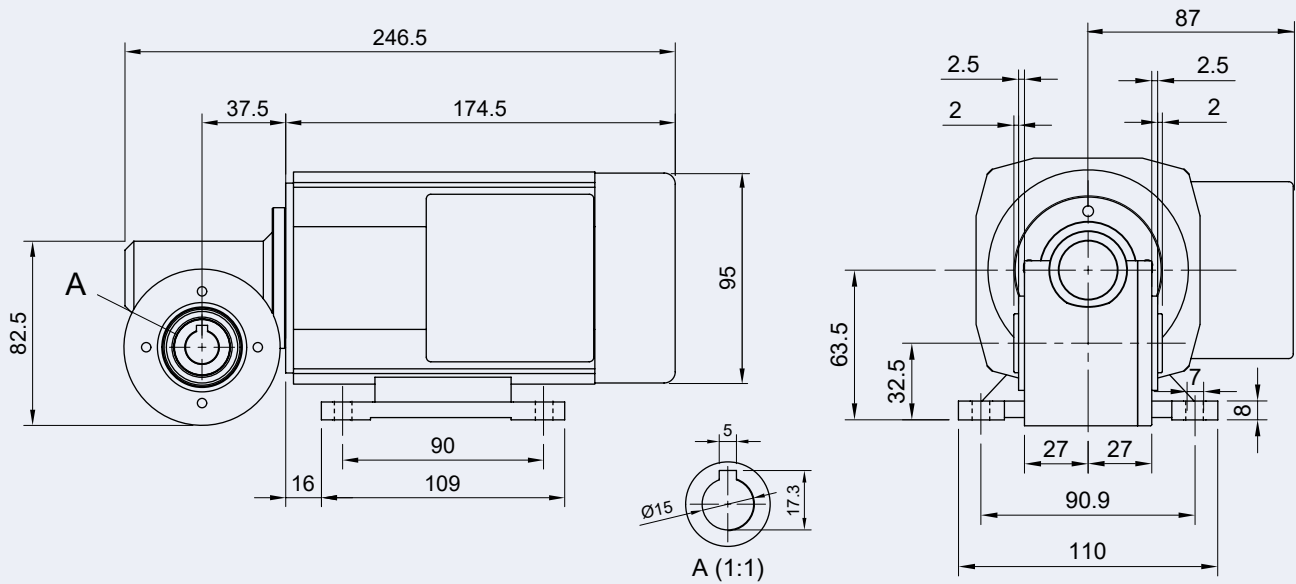


**D**

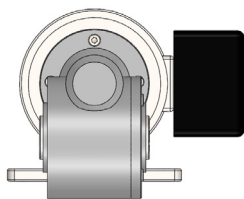


**120 Watt**

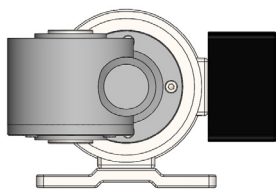
// 3000 rpm



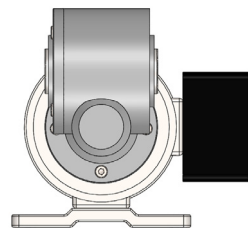
### Terminal box positions



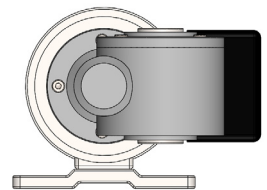
**A**



**B**



**C**



**D**



**We move your ideas - worldwide.**

**RUHRGETRIEBE KG**

Am Förderturm 29  
D-45472 Mülheim an der Ruhr

Telefon +49 208 780 68-0  
info@ruhrgetriebe.de  
www.ruhrgetriebe.de



RUHRGETRIEBE